

# Distances to convection chamber Premium A-U-70h

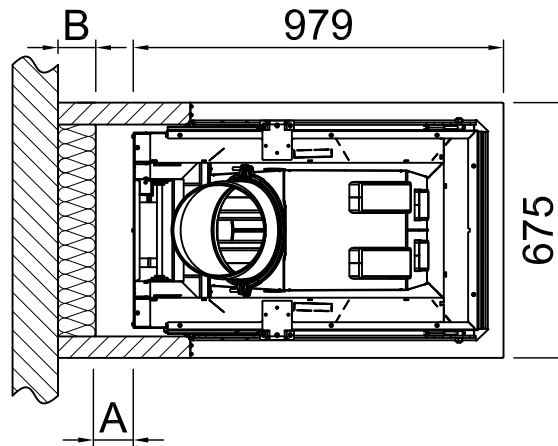


**SPARTHHERM**<sup>®</sup>  
THE FIRE COMPANY

**PremiumEdition**

RLA

2020/01



A	Distance to convection chamber	80mm (air gap >10mm!)	-	-
-	Radiation range of the front view window	850mm	-	-
-	Radiation range of the front view window, lateral	1100mm	-	-
-	Minimum cross section for circulating air: 650cm <sup>2</sup>			
-	Minimum cross section for circulating air: 1200cm <sup>2</sup>			
scope: EU-countries		SILCA 250KM admission No.: Z-43.14-117 (as a replacement for additional walling+ reference insulation)	-	-
B	Thermal insulation, rear <sup>1</sup>	60mm	-	-
C	Thermal insulation, lateral <sup>1</sup>	-	-	-
-	Thermal insulation, Floor <sup>1</sup>	-	-	-
-	Thermal insulation, Ceiling <sup>1</sup>	-	-	-
scope: Germany		SILCA 250KM admission No.: Z-43.14-117 (as a replacement for additional walling+ reference insulation)	SILCA 250KM admission No.: Z-43.14-117 (as a replacement for reference insulation)	Rock wool mats in acc. with AGI- 132 Q
B	Thermal insulation, rear <sup>1/2</sup>	60mm	60mm+100mm additional walling	70mm+100mm additional walling
C	Thermal insulation, lateral <sup>1/2</sup>	-	-	-
-	Thermal insulation, Floor <sup>1/2</sup>	-	-	-
-	Thermal insulation, Ceiling <sup>1/2</sup>	-	-	-

<sup>1</sup> Applies only to components with a U-value (Heat transfer coefficient) > 0,4  $\frac{W}{m^2K}$ . With a U-value < 0,4  $\frac{W}{m^2K}$  the country-specific requirements must be observed.

<sup>2</sup> The heat protection in front of mounting surfaces without flammable building materials and without built-in furniture on the back ("not combustible wall") must be provided with 8cm reference insulation or equivalent replacement insulation (for Silca 250KM = 50mm).

Alle Abbildungen und Zeichnungen sind urheberrechtlich geschützt. Verwertung oder Veröffentlichung, auch einzelner Details, nur mit unserer Genehmigung. Technische Änderungen und Irrtümer vorbehalten. All representations and drawings are protected by applicable copyright laws. Utilisation or publication, including individual details, only with our written approval. Technical data subject to change. Errors and omissions excepted.  
Les illustrations et les dessins sont tous protégés par des droits d'auteur. Toute utilisation ou publication, y compris de détails individuels, nécessite notre autorisation. Sous réserve de modifications techniques et d'erreurs. Tutte le immagini e tutti i disegni sono protetti da diritto d'autore. L'uso o la pubblicazione, anche di dettagli singoli, necessitano della nostra autorizzazione. Con riserva di modifiche tecniche e errori. Todas las ilustraciones y todos los dibujos están protegidos por derechos de propiedad intelectual. Solo se permite el uso o la publicación, incluso de detalles particulares, con nuestra autorización. Reservado el derecho a realizar modificaciones técnicas y correcciones de errores. Alle afbeeldingen en tekeningen zijn auteursrechtelijk beschermd. Gebruik of publicatie, ook van aparte gegevens, alleen met onze toelating. Technische wijzigingen en mogelijke fouten voorbehouden. Wszystkie grafiki i rysunki chronione są prawem autorskim. Wykorzystywanie lub publikowanie, również pojedynczych szczegółów, wyłącznie za naszą zgodą. Zastrzegamy sobie prawo do zmian technicznych i pomyłek. Все рисунки и чертежи защищены авторским правом. Использование или публикация, в том числе отдельных фрагментов, только с нашего разрешения. Возможны технические изменения и ошибки.

\*optional  
\*optional  
\*optional  
\*optional  
\*optional  
\*optional